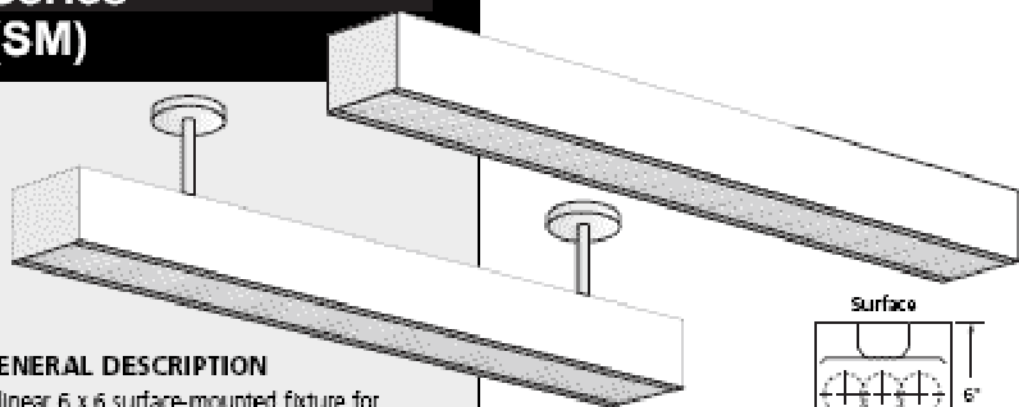


6 x 6 Surface and Pendant Series (SM)



GENERAL DESCRIPTION

A linear 6 x 6 surface-mounted fixture for distinctive architectural lighting plans. Ideal for corridors, lobbies and office areas, 6 x 6 Series fixtures can be installed individually or in group patterns.

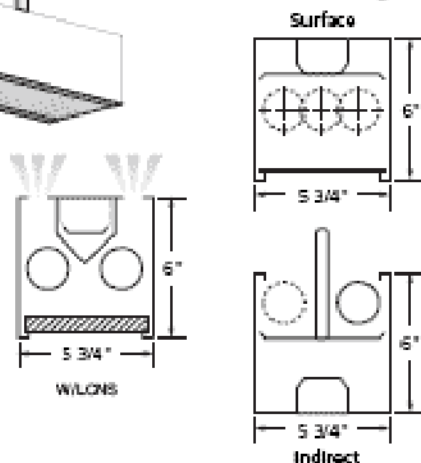
SPECIFICATIONS

Housing: Die-formed and welded 21-gauge cold rolled steel. Knockouts on ends allow continuous wireway mounting. A 1/2" regressed flange at the bottom insures uniformity and rigidity. Uplight fixtures have two rows of 1/2" x 4" apertures along the top of the housing to provide approximately 12% uplight for ceiling illumination.

Diffusers (not included): Fixture accepts various lenses or louvers. Optional welded light-leak hinges are available on ends. 6' and 8' units have a steel mullion to join two individual diffusers.

Finish: All metal parts are cleaned and treated with a three-stage phosphate coating, then electrostatically sprayed with high quality baked white enamel. Minimum 87% reflectivity.

Mounting: Fixtures can be surface mounted to the ceiling or pendant hung by stem or cable. Welded heavy gauge steel flanges can be ordered to accept 3/8" threaded stems. Alignment brackets are available for continuous row mounting.



LIGHTING
SOLUTIONS