

4

3

2

1

D

D

C

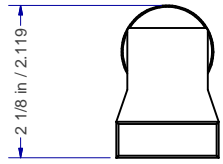
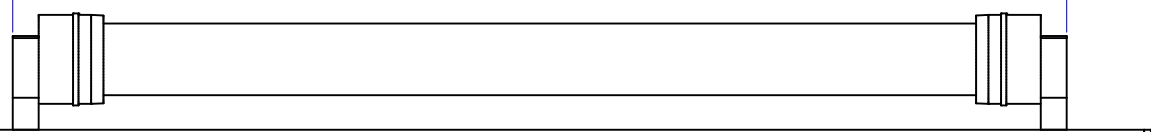
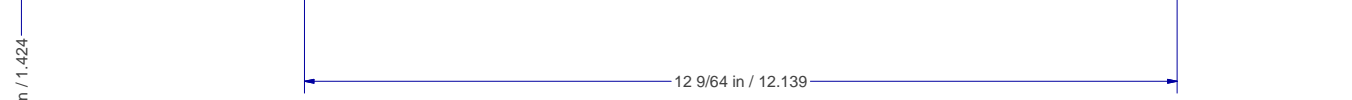
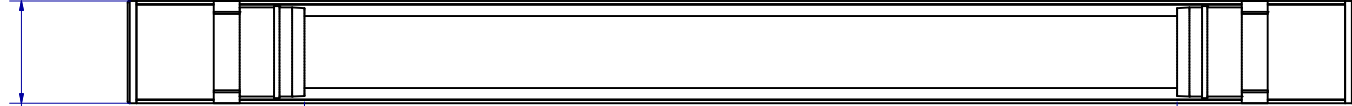
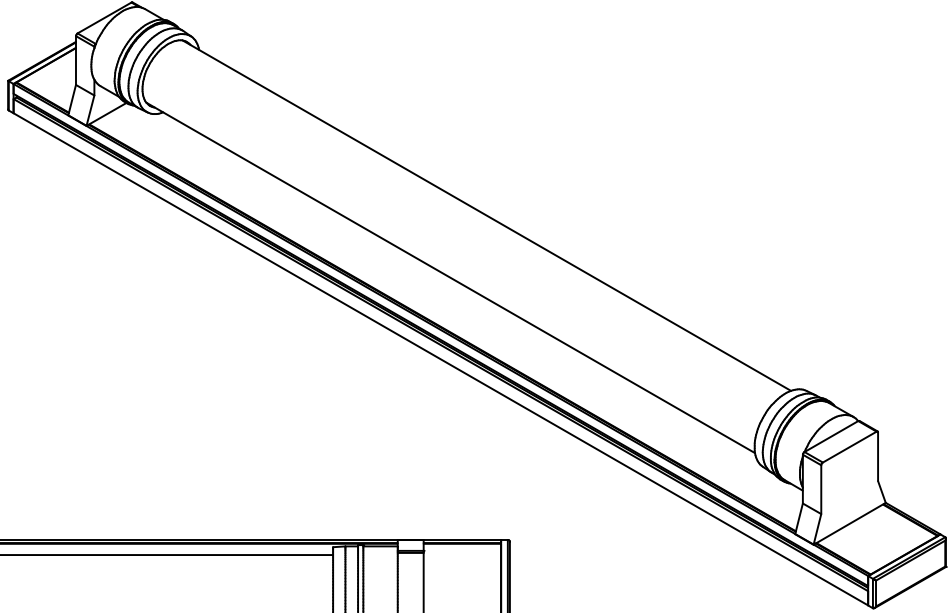
C

B

B

A

A



1 27/64 in / 1.424

12 9/64 in / 12.139

14 21/32 in / 14.663

1/2 in / 0.500

17 1/16 in / 17.063

2 1/8 in / 2.119

<input type="checkbox"/>	QUOTE ONLY
<input type="checkbox"/>	PROTOTYPE ONLY
<input type="checkbox"/>	PRODUCTION

**TOLERANCES UNLESS OTHERWISE SPECIFIED**  
 .XXX = +/- .010 .XX = +/- .030  
 .X = +/- .060 ANGLES = 0 30'

THIS DRAWING AND/OR INFORMATION DEPICTED BY THIS DRAWING IS THE SOLE PROPERTY OF PILLAR INDUSTRIES INC. AND/OR THEIR SUBSIDIARIES. IT IS ISSUED IN CONFIDENCE FOR USE ONLY AS AUTHORIZED BY THE ISSUING AGENT. THIS DOCUMENT MAY NOT BE REPRODUCED, DESCRIBED OR SHOWN TO OTHERS WITHOUT THE WRITTEN PERMISSION FROM PILLAR INDUSTRIES INC. OR THEIR AUTHORIZED AGENTS. THIS INFORMATION MAY NOT BE USED IN ANY WAY THAT MAY BE DETRIMENTAL TO THE INTERESTS OF PILLAR INDUSTRIES INC. INCLUDING ALL SUBSIDIARIES, PARTNERS OR CUSTOMERS. ALL COPYRIGHT, TRADEMARK AND PATENT RIGHTS ARE RESERVED.

DRAWN BY:	7/30/2008
CHECKED BY:	
QA OK'D BY:	
MFG OK'D BY:	
APPROVED BY:	

DESCRIPTION:		
SIZE	PART NO:	REV
	<b>ZHP ASSY 12IN BULB</b>	
SCALE	SHEET	OF
	1	

PILLAR INDUSTRIES INC.  
 LIGHTING SOLUTIONS

PILLAR INDUSTRIES INC.  
 454 WEST McMILLAN  
 MUSKEGON, MI 49445-USA  
 www.pillarlighting.com  
 (231)-766-3190 fax(231)-766-2616

4

3

2

1

A

A